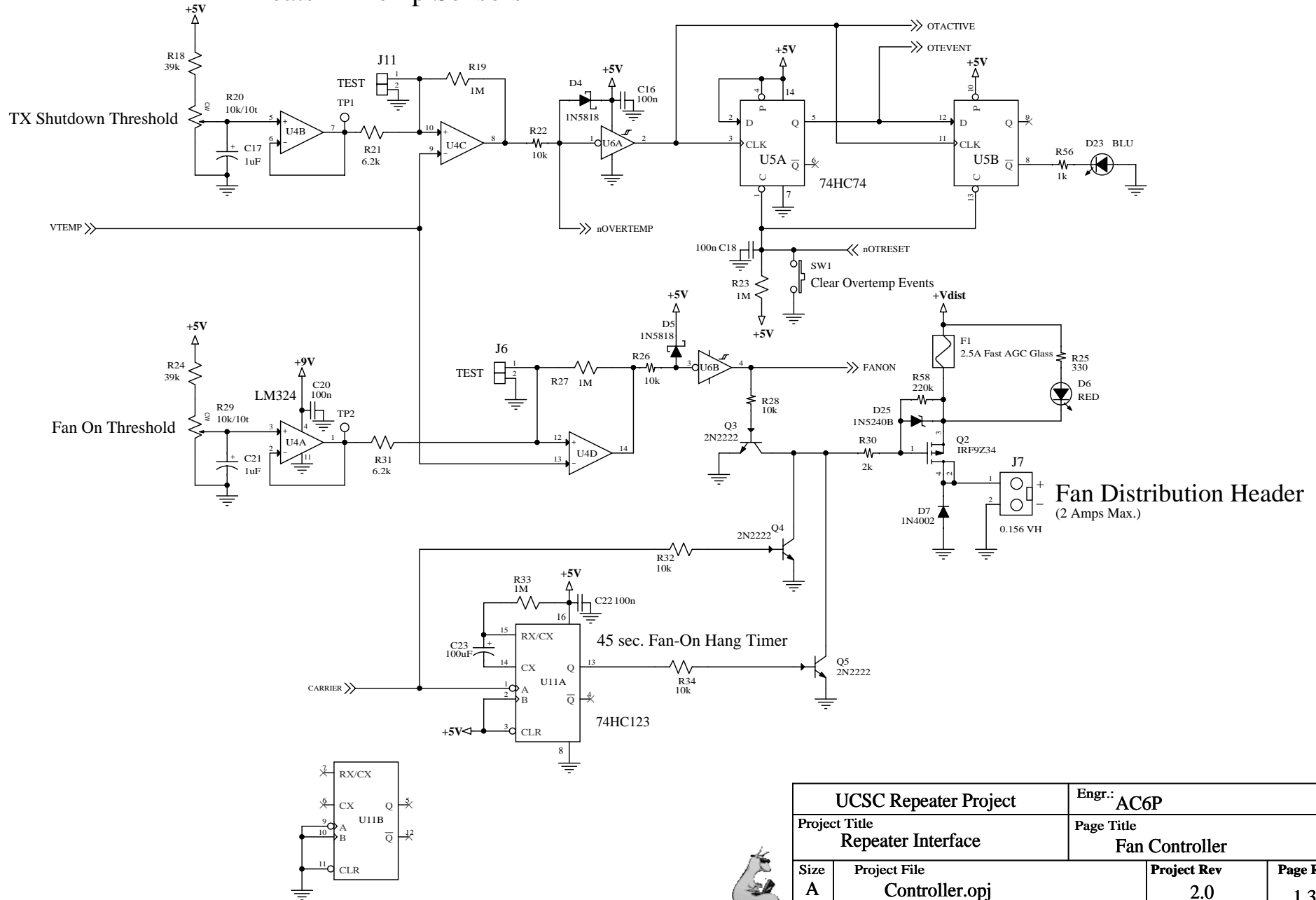


Heatsink Temp Sensors



UCSC Repeater Project		Engr.: AC6P	
Project Title Repeater Interface		Page Title Fan Controller	
Size A	Project File Controller.opj	Project Rev 2.0	Page Rev 1.3
Date: Monday, May 23, 2011		Sheet 2 of 4	

